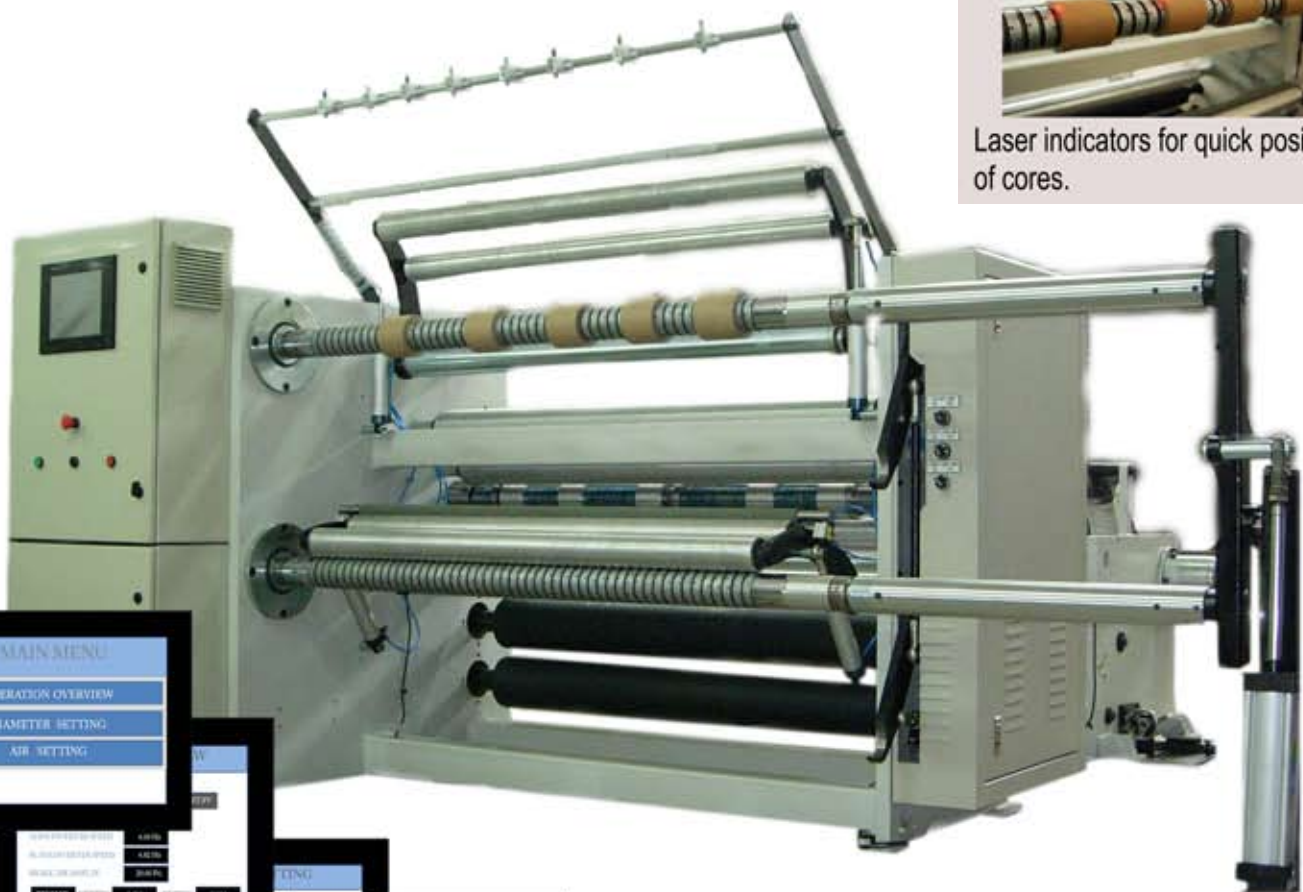


# Duplex Centre Slitter Rewinder

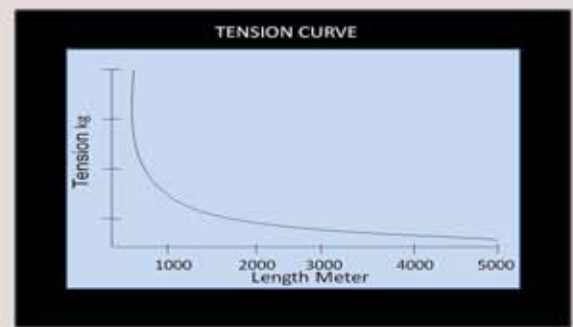
Designed for the converting of small diameter rolls for a wide range of material. With twin centre rewind shafts it is capable of very narrow widths. A low maintenance, high performance machine ideal for converter. It consists of very versatile configurations with a wide range of accessories.



Laser indicators for quick positioning of cores.



A centre driven system, with 2 motors controlled by PLC, touch screen makes it suitable for a wide range of materials.

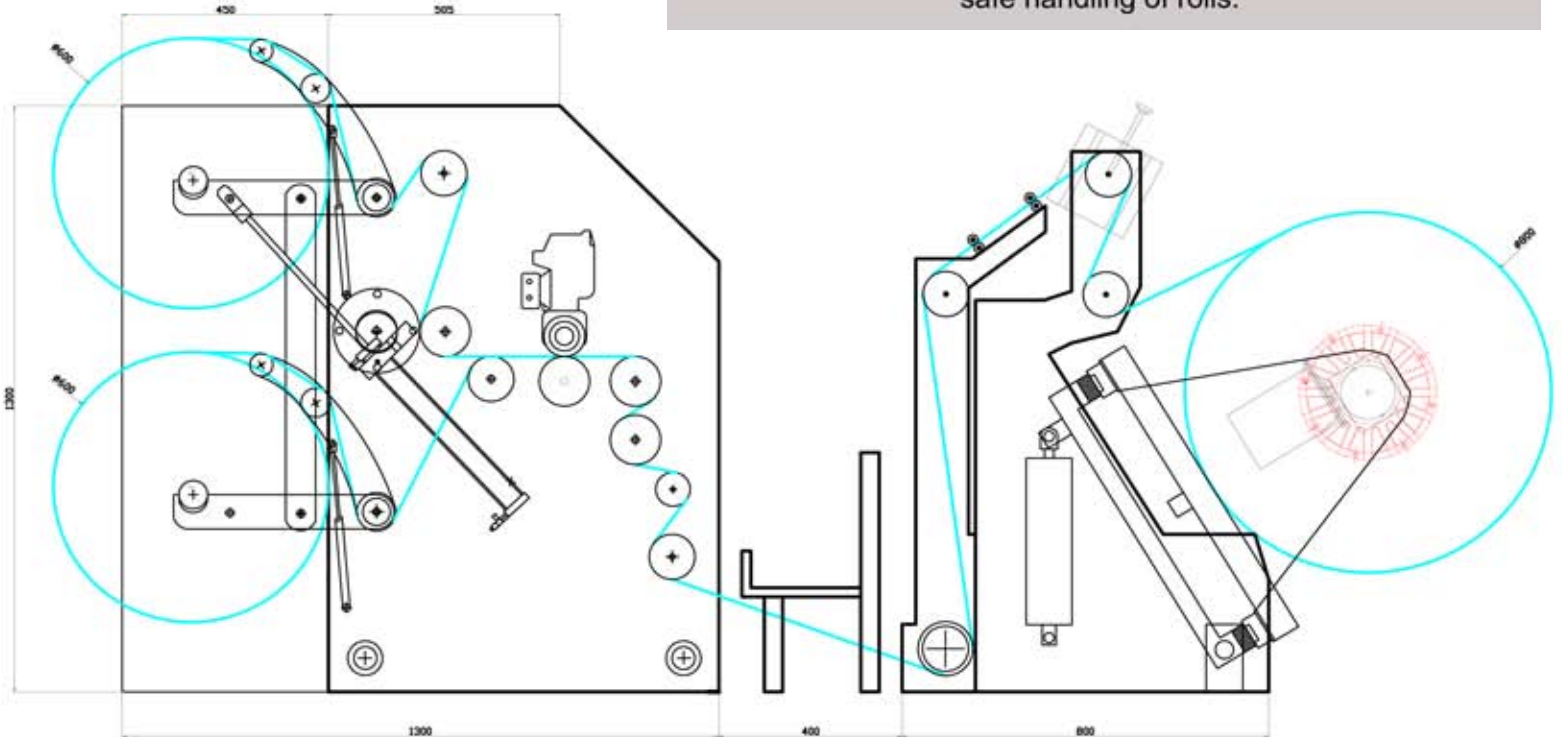




Multiple slitting methods, razor, shear or crush with variable wrap, tangential configurations are available.



Unloading system for easy and safe handling of rolls.



Technical Parameters	
* Max. material weight	18 - 130 gsm
* Max. mechanical speed	500 m/mm
* Parent roll : max. diameter	800 m/mm
* Slit rolls : max. roll diameter	600 mm
* Min. slit width	40 mm



Two versions include a free standing unwinder with shaftless and shafted options.

Processed Material		
* Paper :	Min.	18 gsm
	Max.	130 gsm
* Film :	Min.	9 gsm
PE	Min.	12 µm
PP + PET	Min.	11 µm
Metallised	Min.	18 gsm
* Laminate : paper + Alu. (+ film) / paper	Min.	18 gsm

